



ALUMA-FORM®

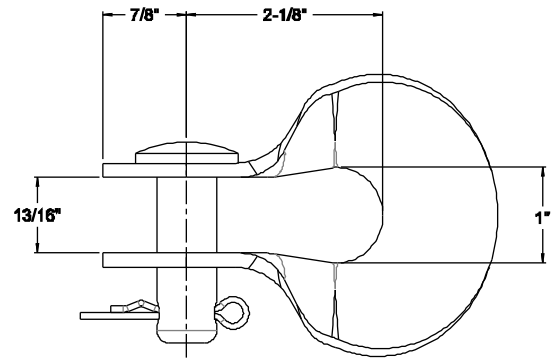
# Pole Line Hardware

## Clevis - Thimble (Pressed) Steel

### Features

Hot dip galvanized to meet ASTM A153

Thimble Clevis - Pressed Steel			
Catalog Name	Description	Weight per 100	Box QTY
AF555	THIMBLE CLEVIS - 5/8" PIN 1" CABLE DIA	90	50



BALL CLEVIS BALL			35,000 lbs Tensile
Catalog Name	Description	Weight per 100	Box QTY
AF-YCB-65A	BALL CLEVIS BALL	196.3	25

